

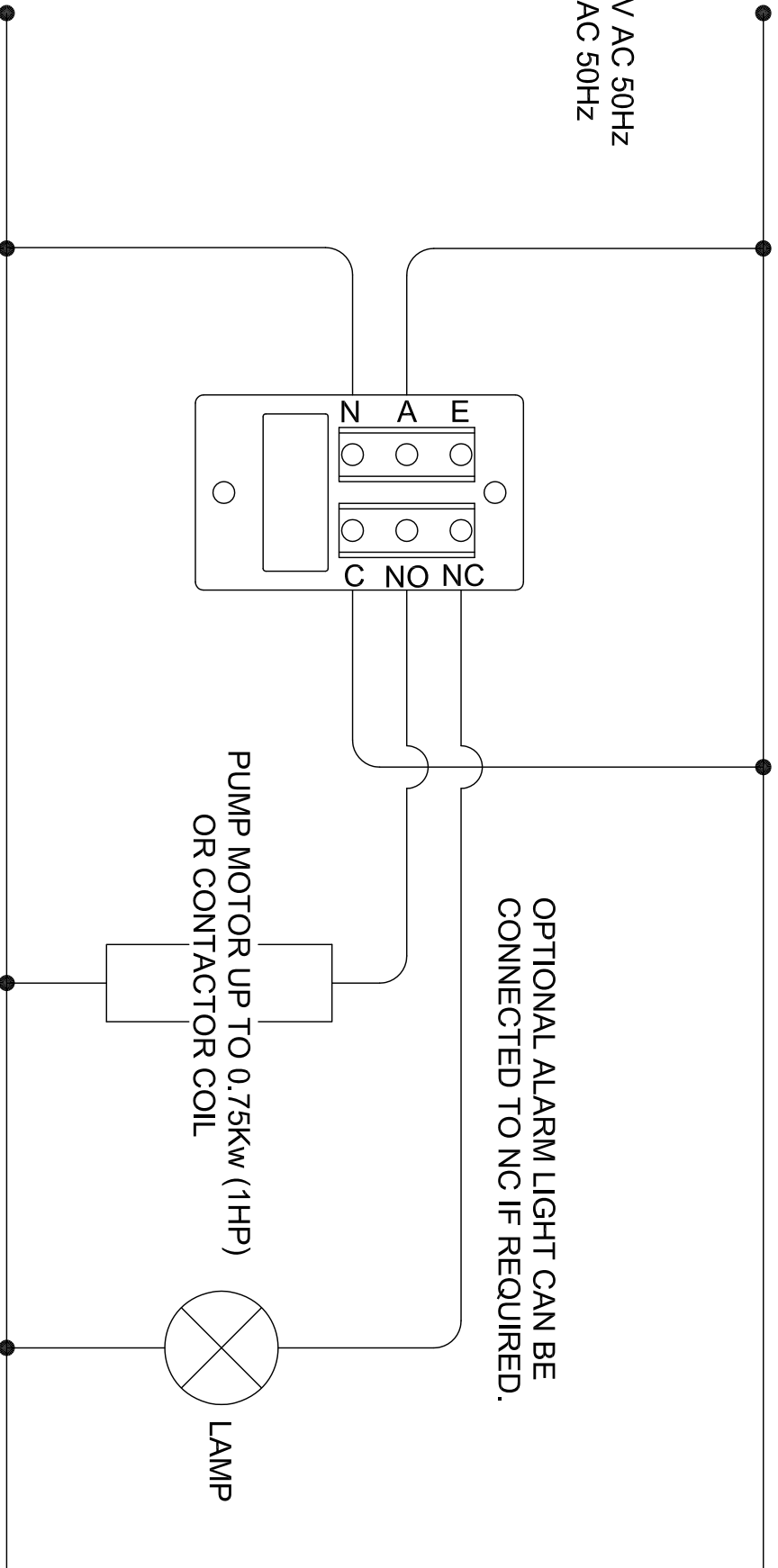
A

SUPPLY

FL25A240 = 240V AC 50HZ

FL25A24 = 24V AC 50HZ

N



BASIC CIRCUIT FOR FL25A240 & FL25A24 CIRCUIT BOARDS