

KELCO

Float Switch Cable Weights

Features

Kelco cable weights are split style weights designed to be fitted to Kelco Q Series, K Series and KU Series float switches. The cable weights are constructed from a special heavy grade of Polypropylene that is inert in the majority of the chemical solutions encountered in industrial water treatment and in industry in general. The two halves of the standard cable weights are secured to the switch cable with a 316 stainless steel screw and nut.

The KCW cable weight can be supplied fitted with a securing bolt made from Ultra High Molecular Weight Poly Ethylene (UHMWPE), for use in extremely aggressive chemical solutions such as Sodium Hypochlorite or Ferric Chloride. To specify the optional UHMWPE bolt simply add PE to the part number (KCW-PE). Please note: the PE bolt is not available as an option on the QCW weights.

Cable weights can be used singularly or in extremely turbulent application, stacked end to end or spaced along the float switch cable. Cable weights should not be mounted closer than 150mm from the float.

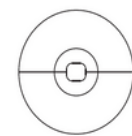
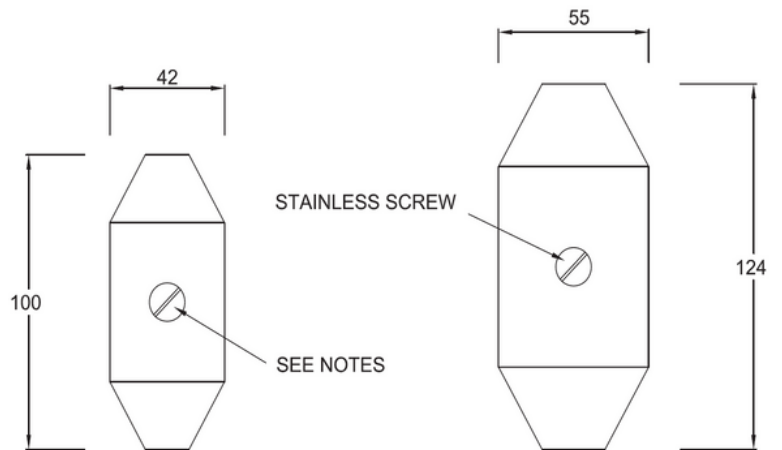
STANDARD CABLE WEIGHT. ORDER CODE
KCW FOR K SERIES AND QCW FOR
Q SERIES



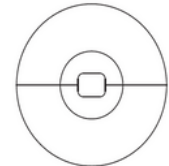
CABLE WEIGHT FITTED WITH UHMWPE
SCREW. ORDER CODE KCW-PE



Dimensions



KCW
WEIGHT 0.22Kg



QCW
WEIGHT 0.46Kg

Kelco Engineering Pty Ltd

ABN 20 002 834 844

Head Office & Factory
9/9 Powells Road,
Brookvale 2100 NSW Australia

Postal Address
PO Box 7485 Warringah Mall
Brookvale 2100 NSW Australia

Phone: +61 2 99056425
Fax: +61 2 9905 6420

Email: Sales@kelco.com.au
Web: www.Kelco.com.au

PLEASE NOTE: Kelco Engineering Pty Ltd reserves the right to change the specification of this product without notice. Users will use their own judgment to determine the appropriateness of using Kelco Products in an application, any safety measures required and that the product is properly installed for that application. To the extent permitted by law Kelco Engineering Pty Ltd disclaims and excludes all and any liability for the use of this product in any particular application or for defective installation. Kelco switches are warranted against malfunction by a 12 month return to base manufacturer's warranty. Full details of our warranty and limitation of liability can be found in this document or downloaded from: <http://www.kelco.com.au/warranty>

All rights reserved copyright Kelco Engineering Pty Ltd © 2022